

STATEMENT OF COMPLIANCE

FCC - THIS EQUIPMENT COMPLIES WITH FCC RADIATION EXPOSURE LIMITS SET FORTH FOR AN UNCONTROLLED ENVIRONMENT AND MEETS THE FCC RADIO FREQUENCY EXPOSURE GUIDELINES ACCORDING TO PART 15, SUBPART B, CLASS B.

CE - EEA (EUROPEAN ECONOMIC AREA) MODEL

THIS EQUIPMENT COMPLIES WITH EN60065, EN61000-6-1/-3, EN61000-3-2/-3; ASSESSMENT OF ELECTRONIC AND ELECTRICAL EQUIPMENT RELATED TO HUMAN EXPOSURE RESTRICTIONS FOR ELECTROMAGNETIC FIELDS.



5V \equiv 2A \diamond \circ \diamond \sim FCC ID: 2AJD5-AC01

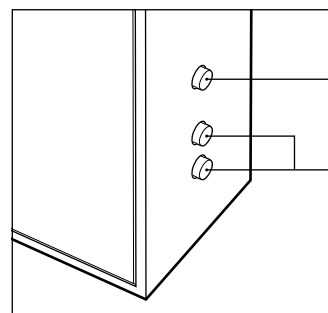
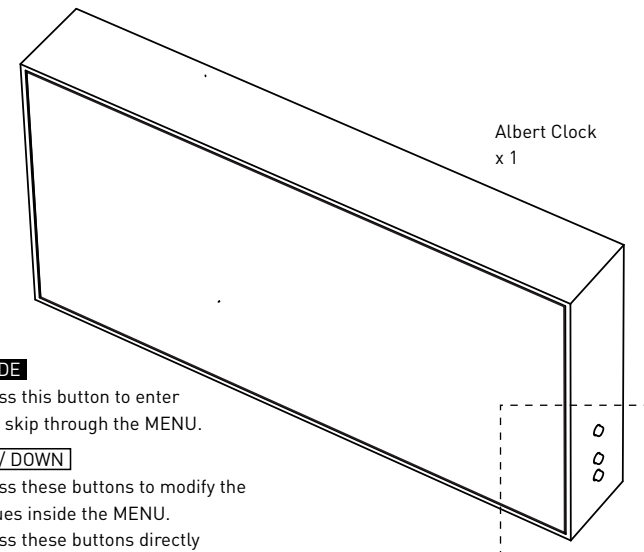
ALBERT CLOCK © designed and engineered by Axel Schindlbeck & Fred Mauciere in France.

Made In China 2018 for MNTNT, 12 rue Santerre, F-75012 Paris

AC adapter supplied by Merry King Enterprises Co. Ltd. Model No.: MKS-0502000W 5V 2A

ALBERT CLOCK

USER MANUAL



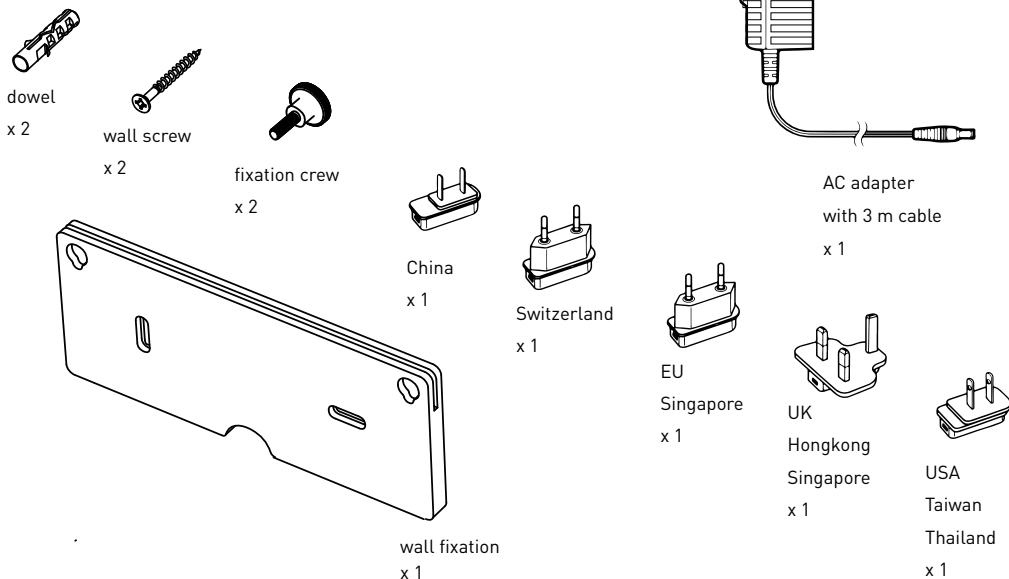
MODE

Press this button to enter and skip through the MENU.

UP / DOWN

Press these buttons to modify the values inside the MENU.
Press these buttons directly to change the level of difficulty.

ACCESSORY PIECES



THE CLOCK SETTINGS

TO TURN ON THE CLOCK PLUG IN THE AC CABLE.
ENTER THE MENU AND SKIP THROUGH THE DIFFERENT STEPS BY PRESSING THE **MODE** BUTTON. USE **UP / DOWN** TO MODIFY VALUES. HOLD THE MODE BUTTON FOR MORE THAN ONE SECOND TO EXIT THE MENU.

MENU - 1: MODE 12H- OR 24H-CLOCK

You can switch in between 12-hour and 24-hour clock.

MENU - 2 / 3: SET TIME

Change time settings for hours and minutes.
In 12h-clock mode, AM/PM info appears on the left.

MENU - 4: LEVEL OF DIFFICULTY

Choose in between 6 different levels of difficulty.
For example: level 1 works with addition and subtraction, level 6 with multiplication and division.

MENU - 5: CALCULATION SPEED

Choose in between 6 different levels of speed.
For example: level 1 makes the calculation change every 60 seconds, synchronized with the minutchange. Level 6 makes the calculation change every 10 seconds.

MENU - 6: DIVISION SYMBOLS

Choose in between 2 different division symbols { : or / }

MENU - 7: LED

Adjust the general brightness of the LEDs.

MENU - 8/9: HI (*) AND LO (.)

Set the time when to lower the brightness of the clock for the night. "Hi" means the time when the clock starts daylight-mode in full brightness (standard setting), "lo" means the time when the clock changes from daylight- to night-mode and to the lowest level of brightness.
Set the same time for hi and lo and the clock display will always stay on full brightness.

MENU - 10: SLEEP ON / OFF

This is an option for the LO Mode, and it puts the clock during this time in a sleep mode in order to cut the power consumption and the light emission from the display.

SHORTCUT FOR LEVEL OF DIFFICULTY

By pressing the UP/DOWN buttons directly, you can change the level of difficulty without entering the menu

SAFETY INSTRUCTIONS - READ CAREFULLY

FOR USA: This equipment has been tested and found to comply with the limits for a Class B digital device, pursuant to Part 15 of the FCC Rules. These limits are designed to provide reasonable protection against harmful interference in a residential installation. This equipment generates, uses, and can radiate radio frequency energy and, if not installed and used in accordance with the instructions, may cause harmful interference to radio communications. However, there is no guarantee that interference will not occur in a particular installation. If this equipment does cause harmful interference to radio or television reception, which can be determined by turning the equipment off and on, the user is encouraged to try to correct the interference by one or more of the following measures:

- Reorient or relocate the equipment and/or the receiving antenna.
- Increase the separation between the equipment and receiver.
- Connect the equipment into an outlet on a circuit different from that to which the receiver is connected.

EUROPE: Disposal of electrical and electronic equipment

- (a) All electrical and electronic equipment should be disposed of separately from the municipal waste stream via collection facilities designated by the government or local authorities.
- (b) By disposing of electrical and electronic equipment correctly, you will help save valuable resources and prevent any potential negative effects on human health and the environment.
- (c) Improper disposal of waste electrical and electronic equipment can have serious effects on the environment and human health because of the presence of hazardous substances in the equipment.
- (d) The Waste Electrical and Electronic Equipment (WEEE) symbol, which shows a wheeled bin that has been crossed out, indicates that electrical and electronic equipment must be collected and disposed of separately from household waste.
- (e) Return and collection systems are available to end users. For more detailed information about the disposal of old electrical and electronic equipment, please contact your city office, waste disposal service or the shop where you purchased the equipment.

IN ORDER TO USE THE PRODUCT SAFELY AND CORRECTLY, AND TO PREVENT BOTH INJURY TO YOURSELF AND OTHERS AROUND YOU AND DAMAGE TO PROPERTY, PLEASE READ THE FOLLOWING SAFETY PRECAUTIONS CAREFULLY BEFORE USE.

WHEN TO REMOVE THE PLUG:

- / If anything unusual occurs; If smoke, a strange smell, or a strange noise is emitted from the product; if water or foreign bodies get into the product; if the product falls and becomes damaged; You must remove the plug of the AC adaptor from the power socket immediately. Do not continue to use the product as this may cause a fire or electric shock. Contact your retailer.
- / Before installing and removing this product, always ensure you remove the plug of the AC adaptor from the power socket. The cable of the AC adaptor may be damaged.
- / If you do not use the product for an extended period of time, for example, if you are going away on vacation, the plug of the AC adaptor must be removed from the power socket for safety reasons
- / Unplug this apparatus during lightning storms

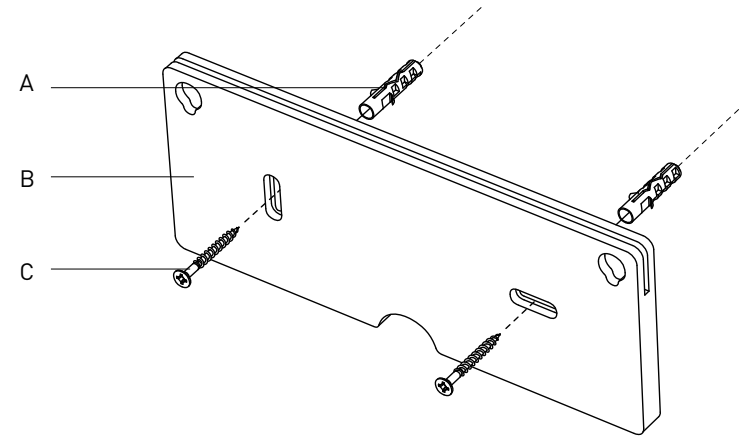
STRICTLY PROHIBITED:

- / Do not expose this apparatus to drips or splashes. Do not use this apparatus near water.
- / Do not place any objects filled with liquids, such as vases, on the apparatus.
- / Do not damage the DC power cable and AC adaptor cable.
- / Do not place anything heavy on the DC power cable and AC adaptor cable, or place the DC power cable and AC adaptor cable under the product.
- / Do not alter, bend excessively, twist, pull, or heat the DC power cable and AC adaptor cable and AC adaptor cable. If the DC power cable or AC adaptor cable is damaged (the core is exposed or broken), it may cause a fire or electric shock.
- / Do not use the product with any voltage other than that indicated on the AC adaptor. This product is for use within the country of purchase only. It cannot be used in other countries. Do not use the product with any power supply or voltage other than that indicated on the AC adaptor. Do not connect the AC adaptor to DC power supplies of on ships, etc. Doing so may cause a fire or electric shock.
- / Do not use any AC adaptor other than that supplied with this product.
- / Do not use the AC adaptor supplied with this product for another equipment. Doing so may cause a malfunction, fire, or electric shock.
- / Do not install near any heat sources such as radiators, heat registers, stoves, or other apparatus (including amplifiers) that produce heat.
- / Do not leave the DC power cable near any heat sources such as stoves or other objects that produce heat. The cover of the DC power cable may be melted and it may cause a fire or electric shock.
- / Do not pull on the AC adaptor cable when you remove the plug of the AC adaptor from the power socket. The AC adaptor cable may be damaged, and it may cause a fire or electric shock. Be sure to grasp the plug of the AC adaptor when removing it from the power socket.
- / Do not locate the product in a place that is either damp or dusty. Do not use the product in a bathroom.
- / Do not locate the product in a place where it may be exposed to smoke or steam, such as near a kitchen table or humidifier.
- / Do not take this product apart. Do not alter this product.

PRECAUTIONS:

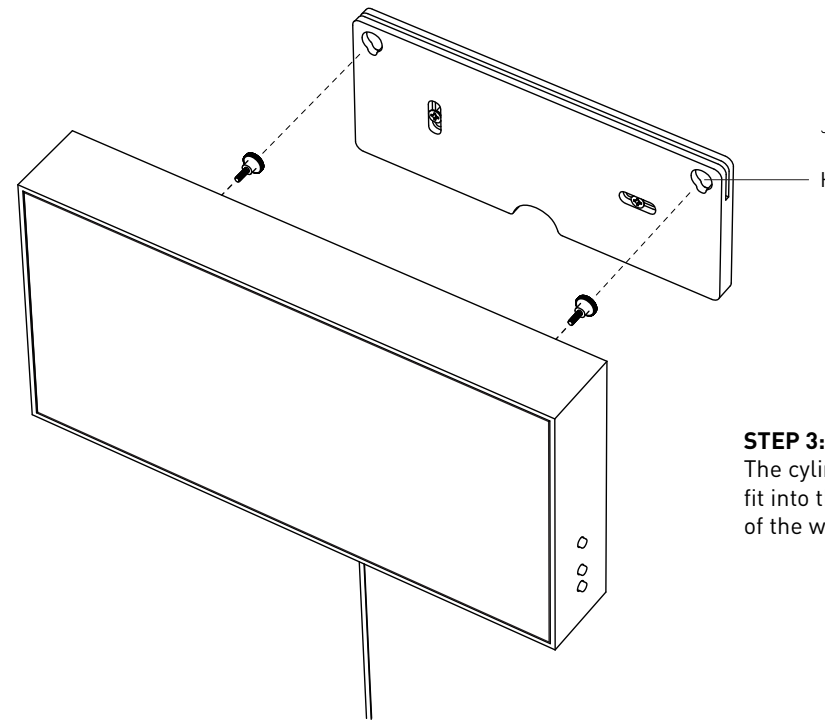
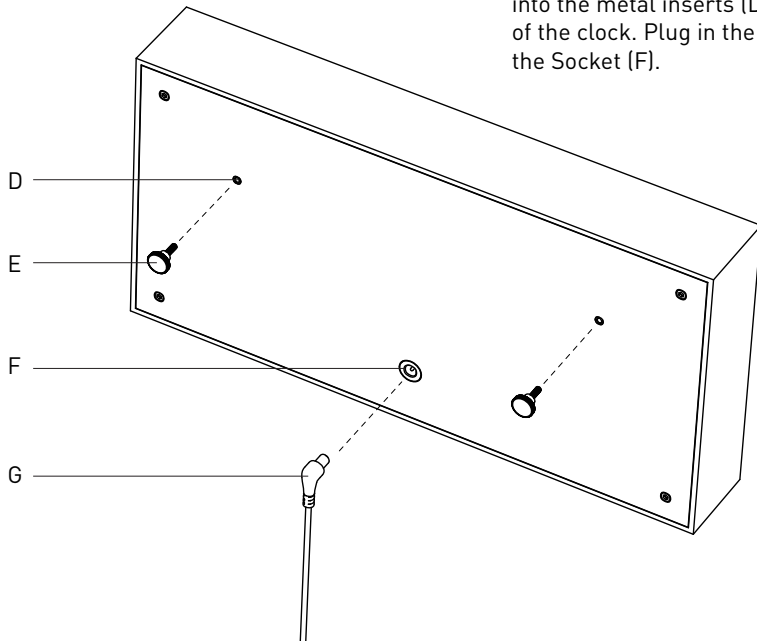
- / Where the MAINS plug or an appliance coupler is used as the disconnect device, the disconnect device shall remain readily operable.
- / Use apparatus in tropical and/or moderate climates
- / The product should be located away from another equipment in order to be able to expel heat.
- / When the product is installed in a rack or similar unit, leave a space of at least 5 cm (2 inches) above the product.
- / When installing this product, refer to the installation method in this manual at all times, taking care to observe the following. When attaching the wall-fixing plate, make sure that you use screw fixings that are appropriate for the structure and material of the wall. The product may cause injury in the event that it falls from the wall.
- / Do not place the product on an unstable or uneven place. The product may cause injury in the event that it falls.

WALL MOUNTING INSTRUCTIONS



STEP 1:
Attach the wall mount (B) onto the wall with the delivered screws (C) and dowels (A).

STEP 2:
Place the cylinder head screws (E) into the metal inserts (D) on the back of the clock. Plug in the cable (G) into the Socket (F).



STEP 3:
The cylinder head screws fit into the holes (H) of the wall mount.